

HL-SPD-10K, the HyLite Surge Protection Device, is specifically designed for use with HyLite LED Omni and Arc-Cob Bulbs to provide an additional level of protection against Lightning Strikes and Power-line disturbances in Utility, Industrial and Commercial applications.

HyLite Surge Protection Device, HL-SPD-10K

The HyLite HL-SPD-10K is an ideal solution for maximum protection of outdoor lighting investments. It delivers a long lasting solution with robust protection against a wide range of temperatures, moisture, and vibrations. The HyLite HL-SPD-10K protects the complete system against multiple nominal surges of up to 5kA/10kV. For a maximum level of protection, the SPD can withstand a single hit of 10kA/20kV. When used in combination with the HyLite LED Omni and Arc-Cob Bulbs, the entire light engine benefits from protection against Storms and Lightning Strikes.

Features:

- Resistant to Peaks and Surges of up to 10kA/20kV
- Class III Protection
- Maximum Surge Current = 10,000 Amps using industry standard 8/20 μSec wave
- Fully Sealed: Dustproof and Waterproof with IP Protection Grade: 65
- High Temperature Enclosure: Up to 175°F (80°C) max. Surface Temperature Rating
- For use with Universal Voltage: 100-277V Power Supply

Benefits:

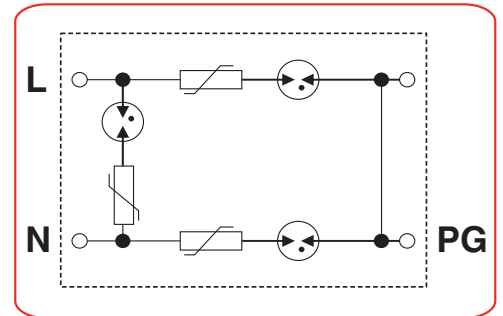
- Maximize the Lifetime Value of Outdoor Lighting Applications
- Lower Maintenance Costs
- Peace of mind on Product Performance

Applications:

- Highways
- Rural Roads
- Area lighting
- Parking Lots

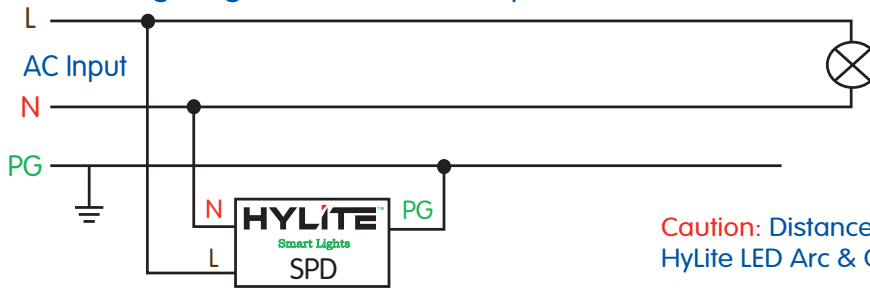
Product Specifications:

- Rated Voltage (Max. Continuous Voltage) – UC: 560V
- Nominal Discharge Current (8/20μs) - In: 5kA
- Max. Discharge Current (8/20μs) - Imax: 10kA
- Nominal Discharge Voltage - Vn: 10kV
- Max. Discharge Voltage - Vmax: 20kV
- Voltage Protection Level - Up: 1.1kV
- Response Time - t_A : 25ns
- Max. Backup Fuse: 16A gL/gG
- Operating Temperature Range: - 40°F ~ +175°F (- 40°C ~ +80°C)
- Size: (L x W x H) 0.75" x 1.5" x 3.25" (22 x 37 x 82mm)
- Class Protection: Class III
- Protection Grade: IP65
- Test Standards: IEC61643-1: 1998-02



Pulse Rating (8 x 20 μSec)			
Strikes	Surge (A)	Strikes	Surge (A)
1	10kA	15	5kA
2	6kA	120	1.5kA

Wiring Diagram with External HyLite SPD, HL-SPD-10K



HyLite
Omni-Cob
Bulb



HyLite
Arc-Cob Bulb

Caution: Distance between SPD L, N, PG Wires and HyLite LED Arc & Omni-Cob Bulb must not exceed 3 ft. (1 m)

Warning: Disable all power to the luminaire before conducting any maintenance or upgrade activity. Failure to do so will create a hazardous and fatal working environment. Fixtures must be grounded in accordance with national, state, and/or local electrical codes. Failure to do so may result in a serious personal injury.